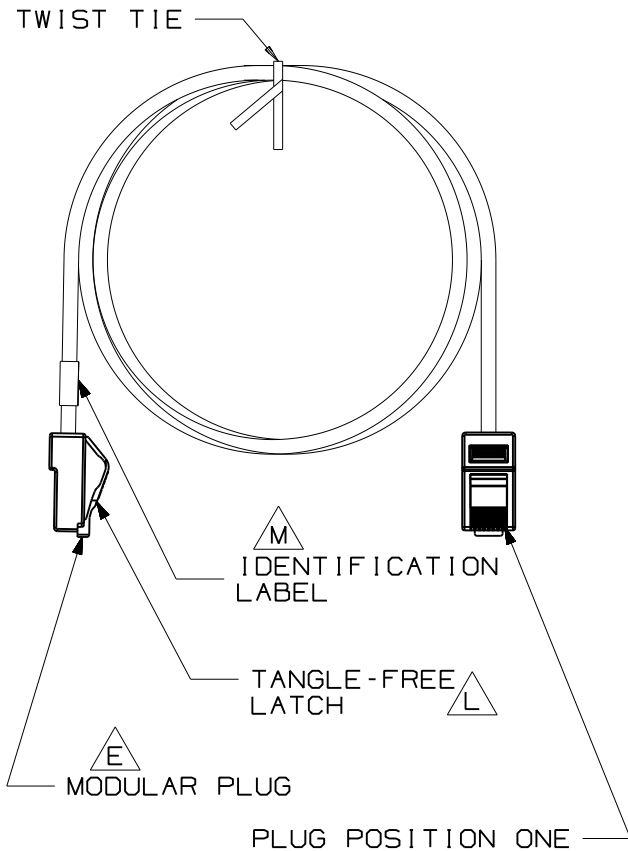
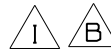


THIS COPY IS PROVIDED ON A RESTRICTED BASIS AND IS NOT TO BE USED IN ANY WAY DETRIMENTAL TO THE INTERESTS OF PANDUIT CORP.



NOTES:

- **1. SEE CURRENT CATALOG FOR VARIOUS APPLICATIONS AND TO INDICATE COLOR AND/OR PACKAGE QUANTITY.
- 2. SEE CATALOG FOR A COMPLETE LIST OF PARTS APPLICABLE FOR USE WITH THIS PART.
- 3. TERMINATED WITH (8 POSITION) MODULAR PLUGS AT BOTH ENDS PER T568A.
- 4. CONSTRUCTED WITH 24AWG STRANDED CAT5e UTP CM PATCH CABLE
- 5. MATERIALS:
PLUG: POLYCARBONATE
- 6. NOMINAL CABLE DIAMETER IS 0.215 IN (5.46MM).



PLUG POSITION	CABLE WIRE
1	WHITE GREEN
2	GREEN
3	WHITE ORANGE
4	BLUE
5	WHITE BLUE
6	ORANGE
7	WHITE BROWN
8	BROWN



CABLE COLORS	** = COLOR
OFF WHITE	--
BLACK	BL
BLUE	BU
RED	RD
YELLOW	YL
GREEN	GR
ORANGE	OR
VIOLET	VL
GRAY	GY



SEE SHEET 2 FOR PATCH CORD LENGTHS AND PART NUMBERS

SIZE

A

DRAWING FILENAME M02479KU_DC282/00D

TX5e UTP COPPER PATCH CORDS (CM)
CUSTOMER DRAWING



REV	DATE	BY	CHK	DESCRIPTION	ECN	R	CUST	SUP	OTH
3	5-13-10	BJN		M. ADDED IDENTIFICATION LABEL L. ADDED TANGLE-FREE LATCH J. ADDED NEW NOTE 6 K. ADDED (I) TO P/N	02479-282				
2	7-25-07	BJN	EJH	I. T568A WAS T568B H. ADDED GY-GRAY	02479-282		REGA		
1	4-18-07	BJN	EJH	G. TX5e UTP WAS CATEGORY 5E W/PANDUIT PLUGS F. ADDED T568B WIRING SCHEME E. MODULAR PLUG WAS PANDUIT PLUG C. ADDED COLOR TABLE D. ADDED CABLE LG A. ADDED SH2 B. ADDED NOTES 3-5	02479-282		REGA		
R	3-21-06	NER	WJC	RELEASED TO PRODUCTION	02479-282		RMD		

<p>PANDUIT^R CORP. TINLEY PARK, IL 60477</p>	I.I. NUMBER
	PRODUCT SPEC
<p>THIRD ANGLE PROJECTION</p>	WORK INSTRUCTION
	SCALE NONE
DRAWN BY NER	PART NO. UTPCHXX**(Y) K
DATE 3-16-06	DRAWING NO. 02479-282 SHEET 1 OR 2
CHK'D WJC	

ALL DIMENSIONS ARE GIVEN IN INCHES, UNLESS OTHERWISE SPECIFIED.
DIMENSIONAL TOLERANCES ARE:
(.X) ± .06 (1.5) (.XXX) ± .010 (.3)
(.XX) ± .005 ANGLES ±

THIS COPY IS PROVIDED ON A RESTRICTED BASIS AND IS NOT TO BE USED IN ANY WAY DETRIMENTAL TO THE INTERESTS OF PANDUIT CORP.

TX5e UTP PATCH CORDS

PANDUIT PART NUMBER	MIN. CABLE LENGTH	PANDUIT PART NUMBER	MIN. CABLE LENGTH
UTPCH1**Y	1 FT.	UTPCH0.5M**Y	0.5 m
UTPCH2**Y	2 FT.	UTPCH1M**Y	1 m
UTPCH3**Y	3 FT.	UTPCH1.5M**Y	1.5 m
UTPCH4**Y	4 FT.	UTPCH2M**Y	2 m
UTPCH5**Y	5 FT.	UTPCH2.5M**Y	2.5 m
UTPCH6**Y	6 FT.	UTPCH3M**Y	3 m
UTPCH7**Y	7 FT.	UTPCH4M**Y	4 m
UTPCH8**Y	8 FT.	UTPCH5M**Y	5 m
UTPCH9**Y	9 FT.	UTPCH6M**Y	6 m
UTPCH10**Y	10 FT.	UTPCH7M**Y	7 m
UTPCH11**Y	11 FT.	UTPCH8M**Y	8 m
UTPCH12**Y	12 FT.	UTPCH9M**Y	9 m
UTPCH13**Y	13 FT.	UTPCH10M**Y	10 m
UTPCH14**Y	14 FT.	UTPCH15M**Y	15 m
UTPCH15**Y	15 FT.	UTPCH20M**Y	20 m
UTPCH16**Y	16 FT.	UTPCH25M**Y	25 m
UTPCH17**Y	17 FT.	UTPCH30M**Y	30 m
UTPCH18**Y	18 FT.	UTPCH35M**Y	35 m
UTPCH19**Y	19 FT.	UTPCH40M**Y	40 m
UTPCH20**Y	20 FT.		
UTPCH25**Y	25 FT.		
UTPCH30**Y	30 FT.		
UTPCH35**Y	35 FT.		
UTPCH40**Y	40 FT.		



SIZE
A

DRAWING FILENAME		M02479KU_DC282/00D	
TX5e UTP COPPER PATCH CORDS (CM) CUSTOMER DRAWING			
 THIRD ANGLE PROJECTION	 PANDUIT ^R CORP. TINLEY PARK, IL 60477		I.I. NUMBER
			PRODUCT SPEC
ALL DIMENSIONS ARE GIVEN IN INCHES, UNLESS OTHERWISE SPECIFIED. DIMENSIONAL TOLERANCES ARE: (.X) ± .06 (1.5) (.XXX) ± .010 (.3) (.XX) ± ANGLES ±		WORK INSTRUCTION	SCALE
		NONE	
DRAWN BY		REVIEW DRAWING NUMBERS	
NER			
DATE		PART NO.	
3-16-06		UTPCHXX**(Y)K	
CHK'D		DRAWING NO.	
WJC		02479-282	
		SHEET 2 04 2	

3	5-13-10	BJN		SEE SHEET 1 FOR REVISIONS	02479-282				
REV	DATE	BY	CHK	DESCRIPTION	ECN	R	CUST	SUP	OTH